

Unicable II®

40mm Quad LNB 40mm LNB, 2 Legacy ports

IDLU-QUDL42-UNR2L-1PP

Item: 6291



A member of the innovative and award winning Unicable LNB series this highly competitive product enables the connection of up to 4 STBs using a single cable (providing STBs are Unicable compliant) over its Unicable port as well as two more STB over its "Legacy" port.

The product is supplied with one splitter unit (optional) for a flexible distribution of the satellite signal at home. It was specifically designed for the European DTH markets, and provides optimized reception capabilities for High Definition transmissions. Manufactured to the highest industry quality standards and with excellent noise figure and phase noise performance, this LNB is an ideal solution for multi-room satellite reception and is a product of choice for most leading digital satellite TV operators across Europe. For more information on the Unicable technology and its advantages please refer to: www.inverto.tv/unicable

Main Features:

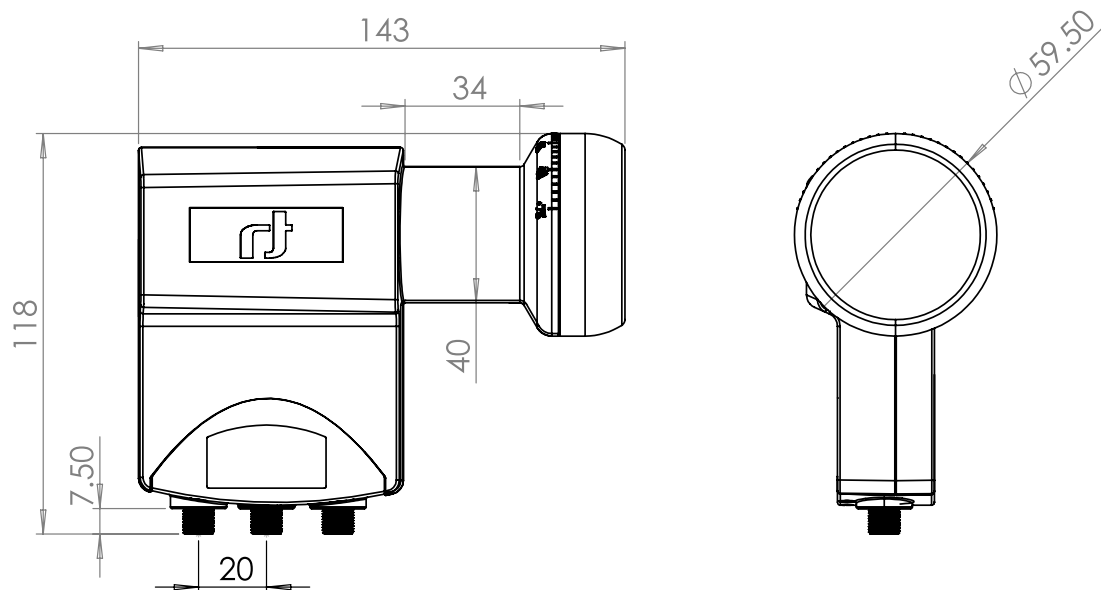
- Low phase Noise HDTV-DVBS2 compliant
- Low Noise Figure
- Low Power consumption
- Very high Cross Polarization Isolation
- Very high Frequency stability
- 2 Legacy ports



Technical Specifications:

Low Band Input Frequency Range	10.7 ~ 11.7 GHz
Low Band Output Frequency Range	950 ~ 1950 MHz
Low Band LO Frequency	9.75 GHz
High Band Input Frequency Range	11.7 ~ 12.75 GHz
High Band Output Frequency Range	1100 ~ 2150 MHz
High Band LO Frequency	10.6 GHz
Noise Figure	0.7 dB Max.
LO Initial Accuracy	+/- 1.0 MHz Max.
LO Temperature Drift	+/- 2.5 MHz Max.
Phase Noise (@ 10 kHz)	- 90 dBc / Hz Max.
SCR Conversion Gain	57 dB Min.
Legacy Conversion Gain	55 dB Min.
Gain Ripple (Over 26 MHz Bandwidth)	+/- 0.75 dB
Gain Variation (Over Full Band)	+/- 4 dB Max.
Image Rejection	40 dB Min.
1 dB Compression Point (@ Output)	0.0 dBm Min.
Cross Polarization Isolation	22 dB Min.
Output VSWR	2.5 : 1
In-Band Spurious	- 60 dBm Max.
Output IF Channel 1 (SCR0)	1210 MHz
Output IF Channel 2 (SCR1)	1420 MHz
Output IF Channel 3 (SCR2)	1680 MHz
Output IF Channel 4 (SCR3)	2040 MHz
Channel Isolation	20 dB Min.
Legacy Ports	1
SCR's Control Signals	DiSEqC command extension based on EN-50494
Legacy Switch Voltage Control	< 14.2 V (Vertical), > 15 V (Horizontal)
Legacy 22 k Sensitivity	220 mV Min.
Current Consumption	250 mA Max. @ 13.5 V
Operating Temperature	- 30 °C ~ + 60 °C
Output Impedance	75 Ω
Output Connector	F-Type (Female)
Weight	350 g

Product diagram:



For purpose of brevity, some product descriptions in this sheet remain at platform level and may not be referred to as detailed datasheets of the products. Inverto Digital Labs reserves the right to amend, omit or add products, product-lines, and / or features without notice.

For further details contact: sales@inverto.tv
 FTA Communication Technologies S.à r.l. Tel. +352 264 367 1 Fax. +352 264 313 68
 17 Route de Luxembourg, Gonderange, L-6182, Luxembourg