

Unifiber™ 1310nm Optical LNB with 10.40 GHz LO
IDLF-OPL410-13140-OPR
Item: 6286

Inverto's Unifiber™ optical LNB delivers a complete satellite broadcast over a single wavelength. It is a wideband LNB receiving both horizontal and vertical polarizations of the satellite signals, down-converts the signals to L-band frequencies, stacks them and outputs the stacked signal over its optical FC/UPC port at a 1310 nm wavelength with a +4dBm output power. The LNB is powered over a coax cable through its DC-input port (F-type). The DC-in port also outputs the horizontal polarization of the received satellite allowing installers to use common satellite installation equipment to align the dish quickly and easily based on MER values. Its compact size, high performance and cost-effective design make the Unifiber™ optical LNB ideal for distributing satellite TV over small-mid scale satellite-only installations using fiber cables.

Main Features:

- Low noise down-converter with single mode single 1310nm wavelength fiber optical output
- Optical output AGC optimizing signal transmission over fiber
- +4dBm output optical power
- Powered through F-type DC in port
- Dish alignment – horizontal polarization available over the DC port for alignment based on MER



Technical data

RF parameters

Input frequency range V & H	10.7 GHz ~ 12.75 GHz
Noise figure	0.7 dB typ.
LO frequency	10.40 GHz (of downconverter)
LO temperature drift	± 150 kHz
LO initial accuracy	± 500 k
LO phase noise	< - 75 dBc/Hz @ 10 kHz
Image rejection	40 dB min.
Cross-polarization isolation	22 dB typ.

Optical output	
Wavelength	1310 nm
Optical output power	+4 dBm

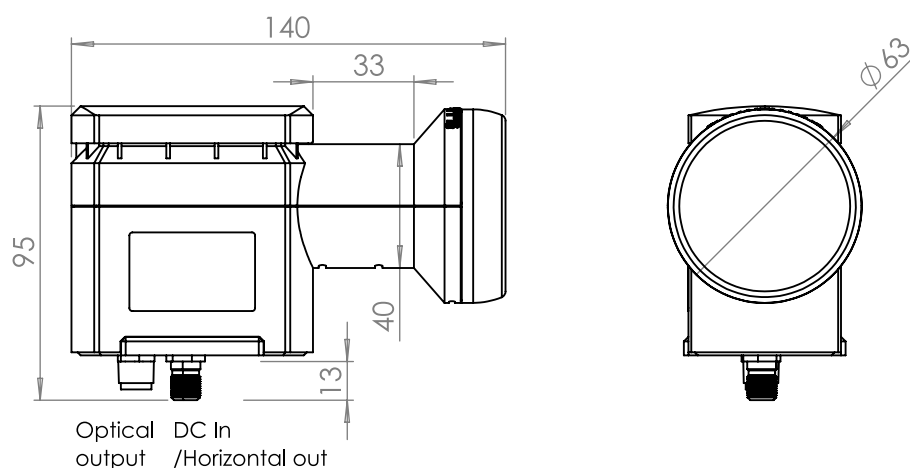
System characteristics

Power input	F-type (DC input)
Power consumption	4 W max.
Power supply	10 – 20 V DC
Dish alignment signal	Horizontal polarization on DC port*
Operating temperature range	-30°C ~ + 60°C
Dimensions	141 mm x 89 mm x 63 mm
Weight	330 g

Logistical info

Packaging dimensions (h x w x d)	14.3 x 9 x 6.4 cm
Packaging weight	0.35 kg
Quantity per carton	20 pcs
Carton dimensions (h x w x d)	37 cm x 33 cm x 16.1 cm
Carton weight	7.5 kg
Quantity per pallet	1320 pcs

* The horizontal signal is AGC-regulated so dish alignment shall be carried out using the maximum MER value measured.



For purpose of brevity, some product descriptions in this sheet remain at platform level and may not be referred to as detailed datasheets of the products. Inverto Digital Labs reserves the right to amend, omit or add products, product-lines, and / or features without notice.

For further details contact: sales@inverto.tv
 FTA Communication Technologies S.à r.l. Tel. +352 264 367 1 Fax. +352 264 313 68