

Unifiber™ Wideband LNB LO 10.41 GHz
IDLF-WDL410-01041-OPR
Item: 6117

Specifically designed for Inverto's Unifiber RF overlay solution addressing the increasing popularity of fiber networks and the respective need to distribute satellite TV services over fiber at residential, commercial or MDU/IRS installations. This professional wideband LNB is based on a single 10.41 GHz local oscillator and delivers highly isolated vertical and horizontal polarizations, ideal for installations delivering a complete range of satellite TV and DTT services over a single fiber using Unifiber optical transmitters.

Main Features:

- Compatible with Unifiber transmitters
- Ideal for installations distributing satellite TV and DTT over a single fiber
- Local Oscillator: 10.41 GHz
- Low Phase Noise, DVB-S2 (HDTV) compliant
- Low Noise Figure
- Low Power Consumption
- High Cross Polarization Isolation
- High Frequency stability (PLL)

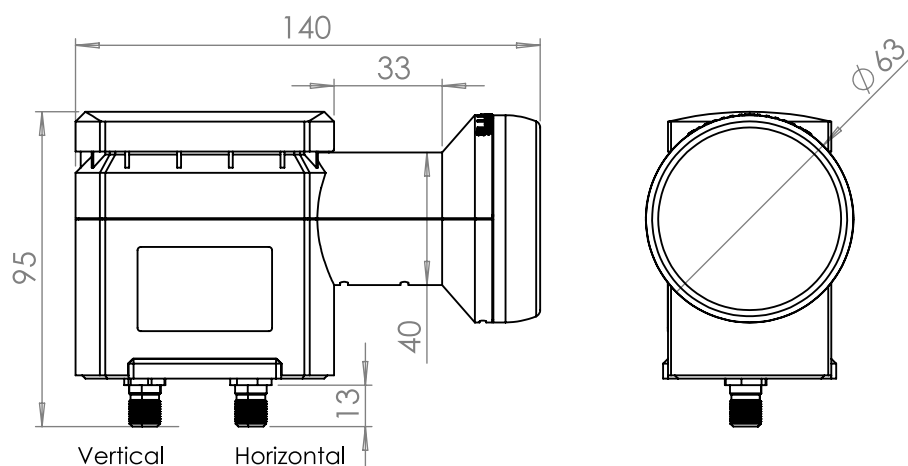


Technical data

Input frequency range	10.7 GHz ~ 12.75 GHz
IF frequency range	290 MHz ~ 2340 MHz
LO frequency	10.41 GHz
Noise figure	0.7 dB typ. (1 dB max.)
LO accuracy @ 25 °C	±0.5 MHz
LO temperature drift	±1 MHz
LO phase noise @ 10 kHz	-80 dBc/Hz max.
Conversion gain	55 dB typ.
Gain ripple (over 26 MHz bandwidth)	±0.5 dB @ 27 MHz
Gain variation (over full band)	4 dB max.
Image rejection	40 dB min.
1 dB compression point (@ output)	0.0 dBm min.
Cross polarization isolation	22 dB typ.
Output VSWR	2.5 : 1
In band spurious level	-60 dBm max.
Current consumption	200 mA max. @ 11 V ~ 20 V
Operating temperature	-30 °C ~ +60 °C
Output impedance	75 Ω
Output connector type	F-Type (female)
Weight	350 g

Logistical info

Packaging dimensions (h x w x d)	14.3 x 9 x 6.4 cm
Packaging weight	0.35 kg
Quantity per carton	20 pcs
Carton dimensions (h x w x d)	37 cm x 33 cm x 16.1 cm
Carton weight	7.5 kg
Quantity per pallet	1320 pcs



For purpose of brevity, some product descriptions in this sheet remain at platform level and may not be referred to as detailed datasheets of the products. Inverto Digital Labs reserves the right to amend, omit or add products, product-lines, and / or features without notice.

For further details contact: sales@inverto.tv
 FTA Communication Technologies S.à r.l. Tel. +352 264 367 1 Fax. +352 264 313 68