

Click object to rotate

# Mono



**Twin 4-feed LNB for 9°E, 13°E, 19.2°E and 23.5°E for 80cm dish**

**IDLM-TWNM20-4FDMN-8PP**

**Item: 5094**

This 4 Feed twin-output LNBF is a monoblock LNBF for Ku-band satellite reception from orbital positions 9°E, 13°E, 19.2°E and 23.5°E. It is intended to be installed with commercially available 80cm satellite dish antennas with f/D ratio of 0.6.

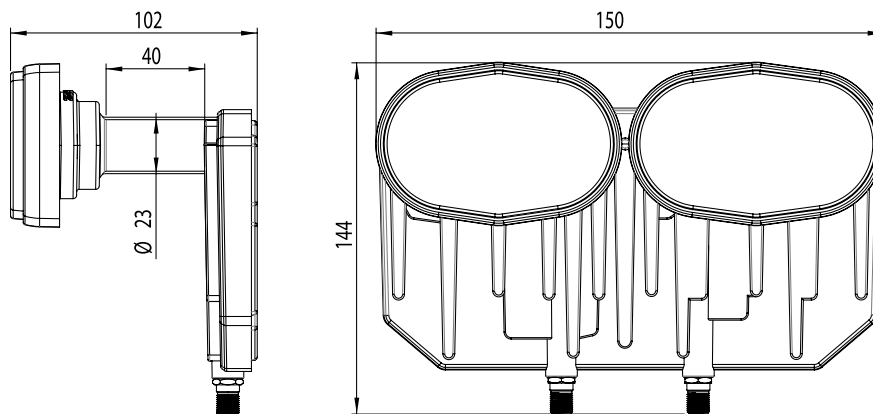
The LNB receives satellite signals in a frequency range of 10.7 to 12.75GHz divided into Low Band (10.70 to 11.70GHz) and High Band (11.70 to 12.75GHz) and in both horizontal and vertical polarizations. The LNB provides two independently switchable IF outputs (Twin model). These ports carry also power supply and control signals and are F-type.

DiSEqC1.0 commands allow switching each of the outputs to a particular band and orbital position. "ODU A" corresponds to 9°E, "ODU B" to 13°E, "ODU C" to 19.2°E "ODU D" to 23.5°E. As long as no DiSEqC command has been received, the default feed is 9°E. The LNB comprises four feeds, one for each orbital position. The feeds allow mounting into the feed clamp of the satellite dish. The feeds are marked with "9°E", "13°E", "19.2°E" and "23.5°E" respectively.

## Technical data

Low Band Input Frequency Range	10.7 ~ 11.7GHz
O/P Frequency Range	950 ~ 1950MHz
LO Frequency	9.75GHz
Noise Figure	1.2 max.dB
High Band Input Frequency Range	11.7 ~ 12.75GHz
O/P Frequency Range	1100 ~ 2150MHz
LO Frequency	10.6GHz
Noise Figure	1.2 max.dB
LO Initial Accuracy	± 2.MHz
LO Temperature Drift	± 3.0MHz
LO Phase Noise @ 1K Hz	-55dBc / Hz
LO Phase Noise @ 10K Hz	-80dBc / Hz
LO Phase Noise @ 100K Hz	-100dBc / Hz
Conversion Gain	50 ~ 62dB
Gain Variation	6 max.dB
Output 1 dB Compression Point	0.0 min.dBm
Crosstalk Isolation	20 min.dB
Output VSWR	2.5 : 1~
Output in-band Spurious	-55 max.dBm
DC Power	10~19/180 max.DCV/mA
Working Temperature	- 30 ~ + 60°C
Output Impedance	75Ω
Polarity , Band & Satellite Selection (Sat A/B/C/D)	Vertical/Horizontal, Low/High band, Sat-A=9°E* / B= 13°E, C=19.2°E /D==23.5°E DiSEqC1.0
Polarity (Ca, Cb) & band selection (Cc) signals for the default feed (9°E)	Ca 11-14V, Cb 16-19V , Cc 22KHz+/-4KHz
Output ports	2, F-conn

\*=default feed



For purpose of brevity, some product descriptions in this sheet remain at platform level and may not be referred to as detailed datasheets of the products. Inverto Digital Labs reserves the right to amend, omit or add products, product-lines, and / or features without notice.

For further details contact: [sales@inverto.tv](mailto:sales@inverto.tv)

FTA Communication Technologies S.a r.l Tel. +352 264 367 1 Fax. +352 264 313 68

