



Click object to rotate

Pro

Single Flange LNB

IDLP-SINF02-OOPRO-OPP

Item: 5046



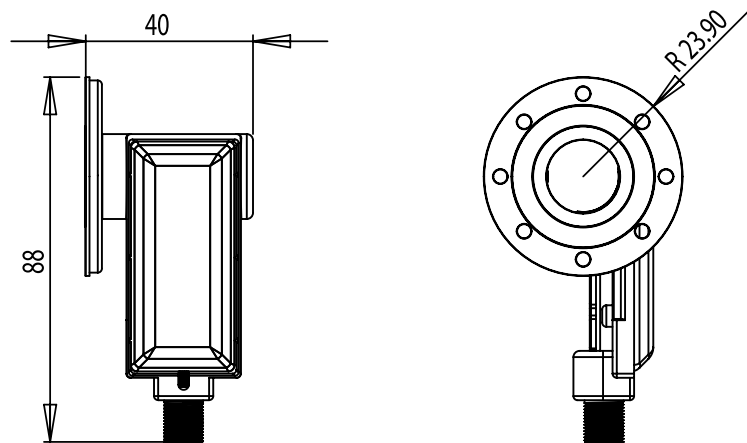
Specifically designed for the European DTH markets, this LNB provides optimized reception capabilities. It enables the reception of signal from one satellite and its distribution to a single tuner Set-top box. It is ready for High Definition transmissions and provides excellent Noise Figure performance. Manufactured to the highest industry quality standards and designed to meet strict specifications, this LNB is an ideal solution for the satellite broadcast reception across Europe.

Main Features:

- Low phase Noise HDTV-DVBS2 compliant
- Low Noise figure
- Low Power consumption
- High Cross-Pole performance
- High Frequency stability

Technical data

Low Band Input Frequency Range	10.7 ~ 11.7 GHz
Low Band Output Frequency Range	950 ~ 1950 MHz
Low Band LO Frequency	9.75 GHz
High Band Input Frequency Range	11.7 ~ 12.75 GHz
High Band Output Frequency Range	1100 ~ 2150 MHz
High Band LO Frequency	10.6 GHz
Noise Figure	0.2 dB
LO Initial Accuracy	+/- 1.0 MHz Max.
LO Temperature Drift	+/- 3.0 MHz Max.
Phase Noise (@ 10 kHz)	- 80 dBc/Hz Max.
Conversion Gain	53 ~ 63 dB
Gain Ripple (Over 26MHz Bandwidth)	+/- 0.75 dB
Gain Variation (Over Full Band)	+/- 4 dB Max.
Image Rejection	40 dB Min.
1 dB Compression Point (@ Output)	0.0 dBm Min.
Cross Polarization Isolation	22 dB Min.
Control Signal Ca (Vertical Polarization)	11.0 ~ 14.0 V
Control Signal Cb (Horizontal Polarization)	16.0 ~ 20.0 V
Control Signal Cc (Band Switching)	22 +/- 4 kHz
Output VSWR	2.5 : 1
In-Band Spurious	- 60 dBm Max.
Current Consumption	110 mA Max. @ 11 ~ 20 V
Operating Temperature	- 25 °C ~ + 60 °C
Output Impedance	75 Ω
Output Connector	F-Type (Female)
Weight	130 g



For purpose of brevity, some product descriptions in this sheet remain at platform level and may not be referred to as detailed datasheets of the products. Inverto Digital Labs reserves the right to amend, omit or add products, product-lines, and / or features without notice.

For further details contact: sales@inverto.tv

FTA Communication Technologies S.a.r.l. Tel. +352 264 367 1 Fax. +352 264 313 68

