



Click object to rotate

Pro

Quad High-Band Circular 40mm LNB (LO10.75 GHz)

IDLB-QUDR41-H1075-OPP

Item: 3315



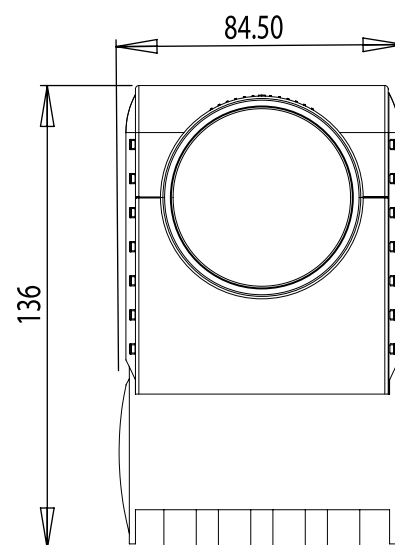
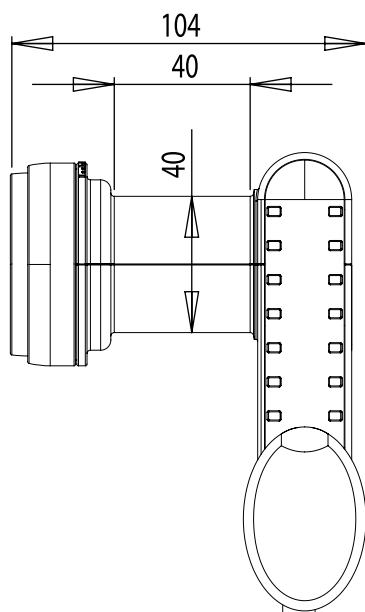
Specifically designed for the European DTH markets, this LNB provides optimized reception capabilities for receiving circular polarized signal on the high band and enables the reception of signal from one satellite and its distribution to up-to four single tuner Set-top box (or 2 in the case of a twin-tuner STB). It is factory set for easy connectivity with any LO 10.75 Preset Set-top boxes, fully supports High Definition transmissions and provides excellent Noise Figure performance. Manufactured to the highest industry quality standards and designed to meet strict specifications, this LNB is an ideal solution for the satellite broadcast reception across Europe.

Main Features:

- LO frequency 10.75 MHz
- Low phase Noise HDTV-DVBS2 compliant
- Low Noise figure
- Low Power consumption
- High Cross-Pole performance
- High Frequency stability

Technical data

I/P Frequency Range	11.7 ~ 12.75 GHz
O/P Frequency Range	950 ~ 2000 MHz
LO Frequency	10.75 GHz
LO Initial Accuracy 25	+/- 1.0 MHz
LO Temperature Drift (-30 ~ +60)	+/- 3.0 MHz
LO Phase Noise @ 10KHz	-80 dBc/Hz
Noise Figure	0.3dB Typ. (0.7dB Max.)
Conversion Gain	55 dB Min.
Gain Variation	+/- 0.75 dB/27MHz
Image Rejection	40 [min.]dB
O/P 1 dB Compression Point	0.0 [min.] dBm
Crosstalk Isolation	20 [min.]dB
Polarization Selection (Righ Hand)	10.0~14.0 V
Polarization Selection (Left Hand)	16.0~20.0 V
O/P Spurious	- 60 (max.) dBc
O/P VSWR	2.5 : 1 ~
DC Power	170mA Max.@11-20V
Working Temperature	- 35 ~ + 60
Output Impedance	75 Ω (F-Type)
Weight	250 g



For purpose of brevity, some product descriptions in this sheet remain at platform level and may not be referred to as detailed datasheets of the products. Inverto Digital Labs reserves the right to amend, omit or add products, product-lines, and / or features without notice.

For further details contact: sales@inverto.tv

FTA Communication Technologies S.a.r.l Tel. +352 264 367 1 Fax. +352 264 313 68

