



Unicable II Power Inserter, 5-2400MHz

Model: IDLU-PINS01-00000-OPP

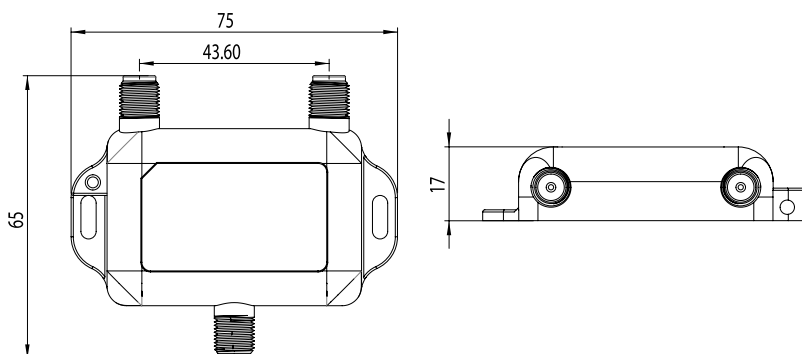
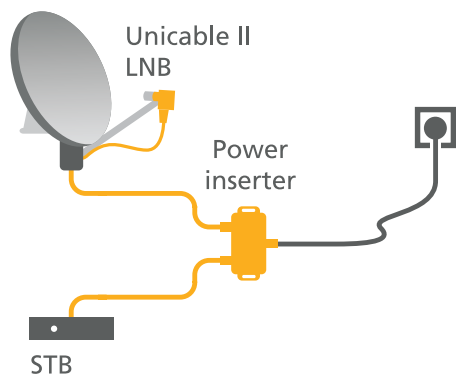
Item: 5344

This power inserter is designed to power a Unicable II LNB or an output port of a Unicable II multiswitch unit and the connected Quattro / Wideband LNB in cases where the connected STB is not able to provide the required power for the LNB / multiswitch output port. It provides a constant DC voltage to the LNB / multiswitch output port without loading the STB and passes the STB's DiSEqC/EN50494/EN50607 commands to the LNB / multiswitch output port unit.

Technical Specifications

Frequency Range	5 - 2400MHz
DC In	19V/1A, 1x F-Type, female
ODU Input (IF)	1x F-Type, female
STB Output (IF)	1x F-Type, female
Insertion Loss	3dB max.
Input Return Loss	-10dB max.
Output Return loss	-10dB max.
Max current flow-through	750mA
Output Voltage (Input @19V, 940mA)	17V
Working Temperature	-30°C ~ +60°C
Weight	81g
Dimensions	65x75x17.3mm

Note: AC/DC power adapter not included.



For purpose of brevity, some product descriptions in this sheet remain at platform level and may not be referred to as detailed datasheets of the products. Inverto Digital Labs reserves the right to amend, omit or add products, product-lines, and / or features without notice. As product specifications may change without notice, always contact Inverto to obtain the latest product specification sheets.

For further details contact: sales@inverto.tv

FTA Communication Technologies S.a.r.l. Tel. +352 264 367 1 Fax. +352 264 313 68



www.inverto.tv