



BLACK Pro

Unicable cascadable multiswitch with 4 User Bands
with combined terrestrial input & 1 Legacy port
IDLP-UST101-CUO10-4PP

The IDLP-UST101-CUO10-4PP is a small form factor Unicable multiswitch enabling installations with up to 4 satellite receivers over a single cable. In addition to its Unicable output, the multiswitch provides a useful universal legacy output so that a legacy satellite receiver can be connected as well.

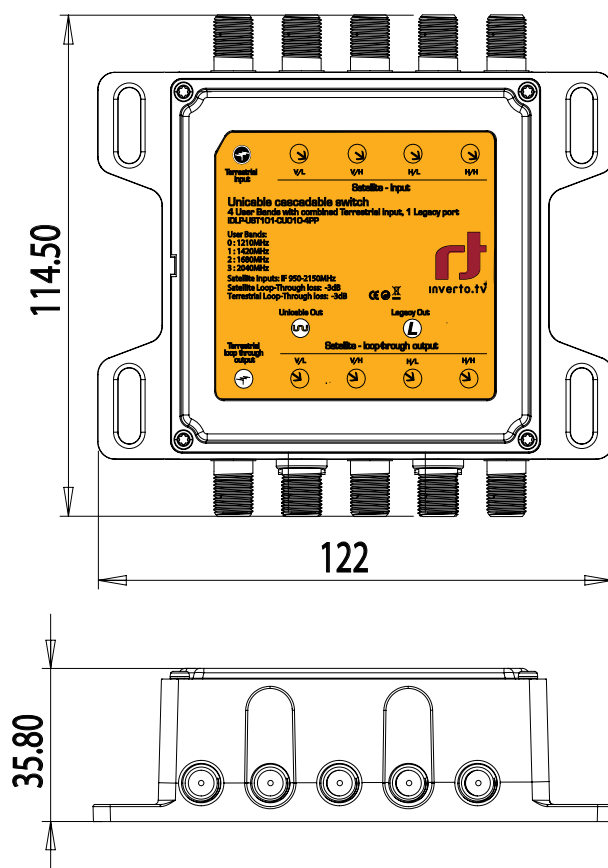
**Unicable
multiswitch**

Providing full flexibility and supporting various installation scenarios, the multiswitch may be powered by any of the connected Unicable receivers directly or through an external AC/DC Power Supply and a Power Inserter - see supported installations diagram below.

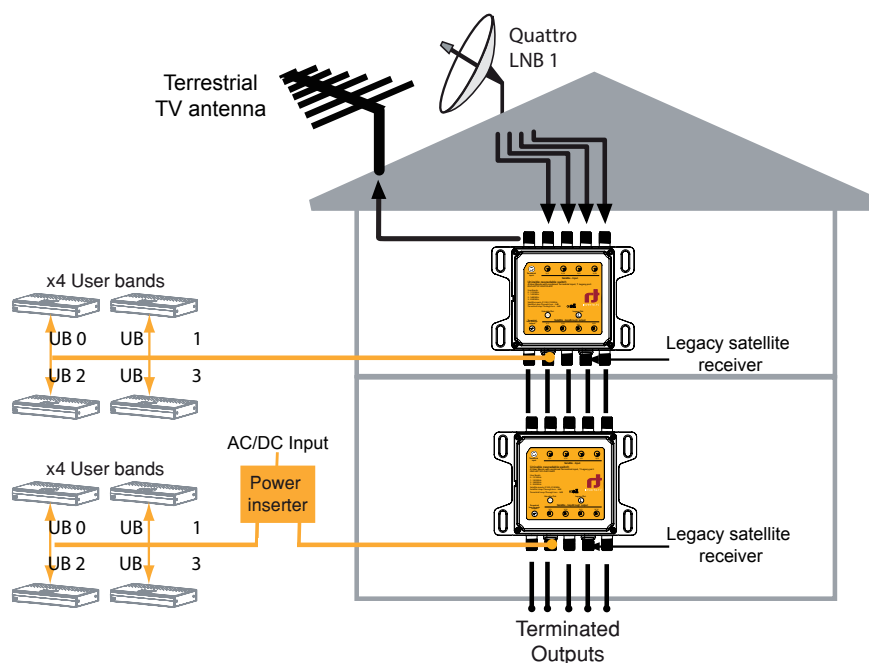
The multiswitch receives (and cascades) four satellite IF bands (L/V, L/H, H/V and H/H) and Terrestrial VHF/UHF signals. Both the Unicable and the legacy outputs are combined with the Terrestrial signal. The Terrestrial input is not amplified.

The communication protocol between the multiswitch and the receivers connected through the Unicable port is based on the EN 50494 standard for single cable distribution.

For indoor and outdoor installations.



4 User Band Unicable multiswitch with Legacy port Connection Diagram



For long cable installations, it is recommended to use the supplied Power Inserter and the AC/DC adaptor in order to ensure proper and stable input voltage level. The power inserter shall be connected over the Unicable port.

- Accessories:
 Power insert
 External AC/DC power adaptor

Technical Specifications

Inputs	4 x Satellite IF inputs from Quattro LNB 1 x UHF/VHF input from Terrestrial antenna 4 x loopthrough satellite IF outputs 1 x loopthrough terrestrial output
Outputs	1 x Legacy output with combined terrestrial signal. 1 x Unicable output for up to 4 receivers with combined terrestrial signal
Control Protocol	DiSEqC extension commands per EN50494
Inputs frequency range: Satellite	950 ~ 2150 MHz
Terrestrial	47 ~ 862 MHz
Loop-through loss: Satellite	- 3 dB max.
Terrestrial	- 3 dB max.
Conversion gain: Unicable output	+10 to +20 dB
Legacy universal output	-1 to +7 dB
Output signal level (AGC controlled)	93dB μ V
Input power range	-45 to -15 dBm
User band (Channel) bandwidth	40 MHz
User band (Channel) gain ripple	3 dB max.
User band frequencies (Channels)	CH 0 : 1210.00 MHz CH 1 : 1420.00 MHz CH 2 : 1680.00 MHz CH 3 : 2040.00 MHz
RF Isolation:	
Satellite/Satellite IF	28 dB min.
Satellite/Terrestrial	35 dB min.
Satellite Channel/Channel (UBs)	30 dB min.
LO phase noise	@1 KHz: -92 max dBc/Hz @10 KHz: -101 max dBc/Hz @100 KHz: -99 max dBc/Hz @1 MHz: -103 max dBc/Hz @10 MHz: -127 max.
Integrated phase noise	1.5 degrees max.
Input / Output VSWR	2.5 : 1
Input / Output Impedance	75 Ω (F-Type)
LNB input	V/L=>13V/0K , V/H=>13V/22K (V) H/L=>18V/0K , H/H=>18V/22K (H)
LNB power supply	13/18V, max 400mA
DC Power consumption	20V @225 mA [max] (F-Type)
Working Temperature	- 20 ~ + 60 $^{\circ}$ C
Dimensions	120 x 88 x 35 (H x W x D) mm