

Click object to rotate

Eco

Single 41mm LNB

IDLB-SINS41-OOECO-OPP

Item: 3136



Specifically designed to meet the most updated requirements in the European satellite markets, this LNB features low power consumption and provides optimized reception capabilities to support the growing multi-satellite high definition transmissions across Europe. It enables the reception of signal from one satellite and its distribution to a single tuner Set-top box. It is ready for High Definition transmissions and provides excellent Noise Figure and Phase noise performances. Manufactured to the highest industry quality standards and designed to meet strict specifications, this LNB is an ideal solution for the satellite broadcast reception across Europe.

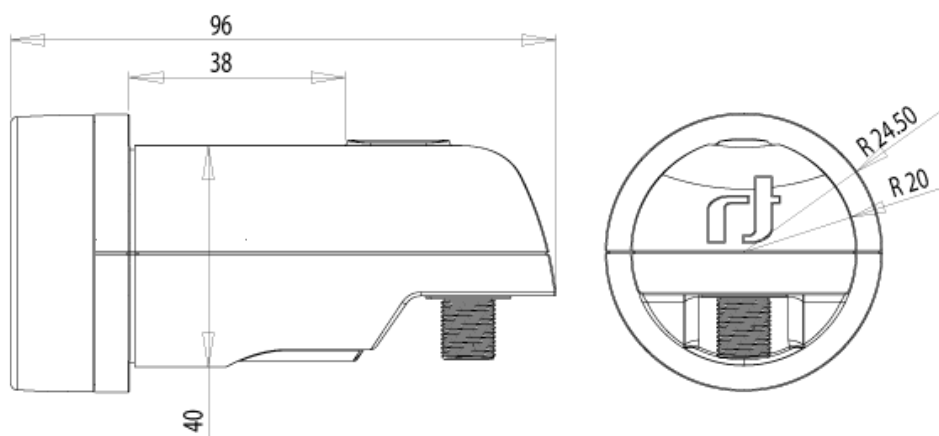
Main Features:

- Low Phase Noise, DVB-S2 (HDTV) compliant
- Ultra Low Noise Technology 0.1dB (ULN+)
- Low power consumption
- High Cross-Pole performance
- High Frequency stability



Technical data

Low Band Input Frequency Range	10.7~11.7 GHz
Low Band Output Frequency Range	950~1950 MHz
LO Frequency	9.75 GHz
High Band Input Frequency Range	11.7~12.75 GHz
High Band Output Frequency Range	1100~2150 MHz
LO Frequency	10.6 GHz
Noise Figure	0.1 dB (ULN+) Typ.(0.7dB Max.)
LO Initial Accuracy	+/- 1.0 MHz max.
LO Temperature Drift	+/- 3.0 MHz max.
LO Phase Noise @ 10K Hz	-85 dBc/Hz max.
Conversion Gain	50 ~ 60dB
Gain Ripple	+/- 0.75 dB/27MHz
Gain Variation	+/- 4 dB
Image Rejection	40 dB min.
1 dB Compression Point (O/P)	0.0 dBm min.
Cross talk	20dB min.
Control Signals Ca [V]	11.0~14.0 V
Control Signals Cb [H]	16.0~20.0 V
Control Signals Cc [Band switching]	22KHz +/- 4KHz 0.4V – 0.8V pp
Output VSWR	2.5 : 1
Radiated Interference	-50 dBm max.
DC Power	85mA max. @ 11 – 20V
Working Temperature	-30~+60 °C
Output Impedance (connect to STB)	75Ω
Output connector	F-type (female)
Weight	100 g



For purpose of brevity, some product descriptions in this sheet remain at platform level and may not be referred to as detailed datasheets of the products. Inverto Digital Labs reserves the right to amend, omit or add products, product-lines, and / or features without notice.

For further details contact: sales@inverto.tv

FTA Communication Technologies S.a r.l Tel. +352 264 367 1 Fax. +352 264 313 68



www.inverto.tv